



SERVING THE FOOD INDUSTRY SINCE 1951

37-INCH VERTICAL BROILER - 66lb. CAPACITY

Item: 19152 | Model: BR-CN-0394



MAKE DELICIOUS SHAWARMAS ANYTIME

The Omcan's vertical broiler is built for quality and tough commercial use. This unit features three independently controlled heating elements for precision cooking and performance. Omcan's Vertical Broiler is the perfect solution for creating that delicious gyro, shawarma, tacos el pastor, and doner kebabs for your customers. It is the ideal equipment for any fast food or Mediterranean style restaurant.



Authorized Dealer

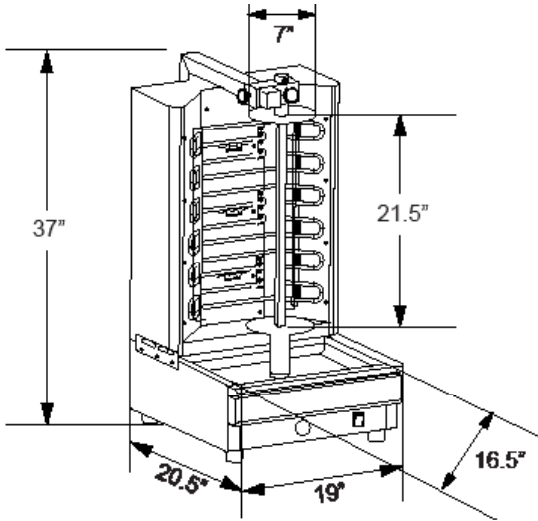
FOOD EQUIPMENT

37-INCH VERTICAL BROILER - 66 LB CAPACITY 19152



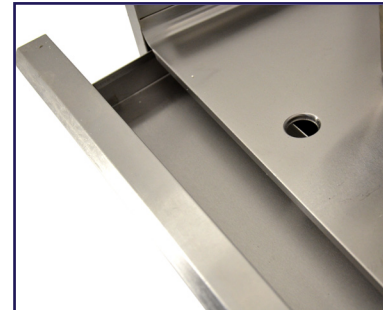
Omcan's 37-inch vertical electric broiler is manufactured with high quality stainless steel. It features three heating elements that are controlled by the thermostat. This broiler is easy to clean and disassemble.

TECHNICAL DRAWING AND DIMENSIONS



TECHNICAL SPECIFICATION

ITEM NUMBER	19152
MODEL	BR-CN-0394
TEMPERATURE	50° - 300°C / 122° - 572°F
POWER	5100W
AMPS	23
COOKING AREA	19.5" High x 15.5" Dia/ 49.5 cm High x Dia. 39.4 cm
CAPACITY	66 lbs./ 29.9 kg.
ELECTRICAL	220V / 60Hz /1Ph
WEIGHT	66 lbs./ 29.9 kg.
PACKAGING WEIGHT	93.5 lbs/ 42.4 kg.
DIMENSIONS (DWH)	20.5" x 19" x 37" / 52 x 48.3 x 94 cm
PACKAGING DIMENSIONS	23.5" x 23.5" x 39" / 59.7 x 59.7 x 99.1 cm



OMCAN INC.

Telephone: 1-800-465-0234
 Fax: (905) 607-0234
 Email: sales@omcan.com
 Website: www.omcan.com



Follow us to keep up to date with the latest news and offers



2015.E.O.E